



# YAMAHA YZF R6

RACING & EVOLUTION EXHAUST SYSTEM

Akrapovic Racing and Evolution systems are designed for riders who demand maximum performance. Both systems are significantly lighter if compared to stock exhaust system and feature exceptional production quality, hi-tech materials and of course increased engine performance combined with pure racing sound output. The Akrapovic Racing and Evolution systems were developed to complement the racing character of the R6. Evolution system is made entirely of our exclusive high grade titanium while Racing system uses stainless steel header tubes and link pipe. We offer titanium or carbon-fiber muffler outer sleeve for each combination. Both systems are not street legal and are designed for racing purpose only.

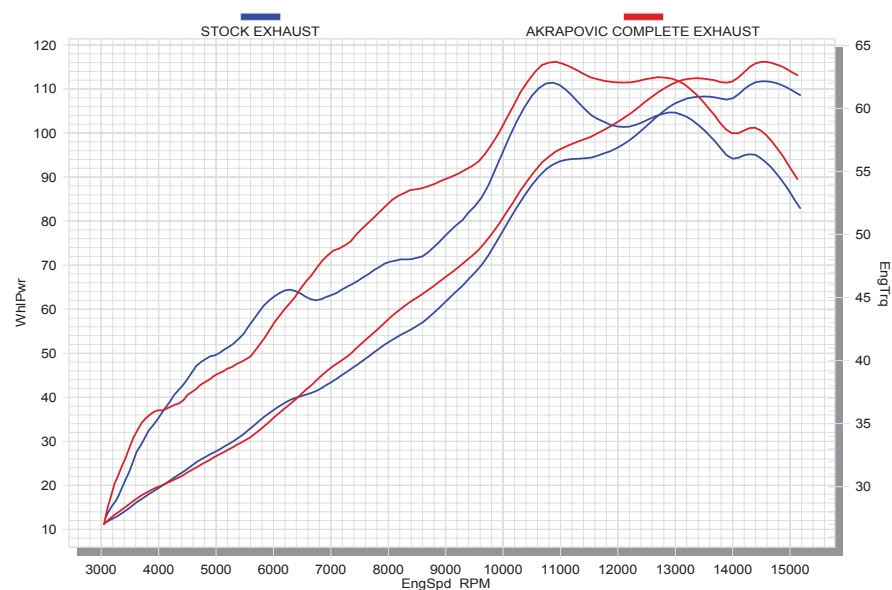
**PERFORMANCE**

Measurements of the Akrapovic EVOLUTION system on the YAMAHA YZF R6 (without muffler insert):

Power & Torque: The power increase with the Akrapovic system is substantial, and can be seen from 6800 rpm right to the top of the range. At 14590 rpm we measured 116.2 HP, with max. increased power of 6.4 HP at 8500 rpm. The system's effect on the torque curve is similar to the power curve. The main increase starts at around 6500 rpm and continues right into the over-rev range.



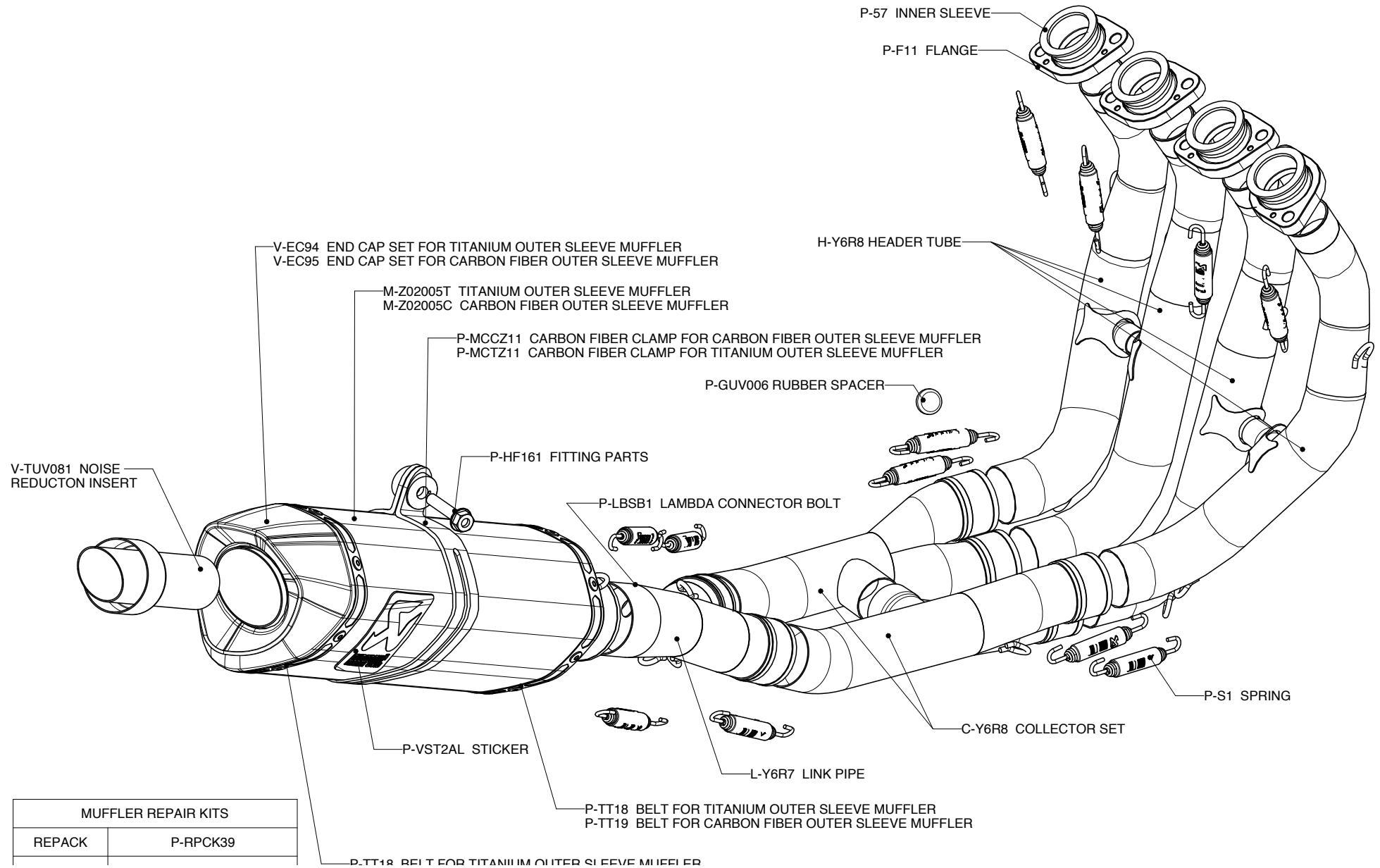
PERFORMANCE					
	stock	AKRAPOVIC		max. increased power	
max. rear wheel power HP / rpm (measured on Dynojet ATV)	111.7 / 10870	116.2 / 14590		6.4 / 8500	
ADDITIONAL DATA					
weight comparison (kg)	stock	AKRAPOVIC		difference	
	9.99	RACING	EVOLUTION	stock - RACING	stock - EVOLUTION
		4.41	3.33	5.58	6.66
noise measurements (dB / rpm)	stock		AKRAPOVIC		
	97 / 7250		102 / 7250		
legal for street use	NO				



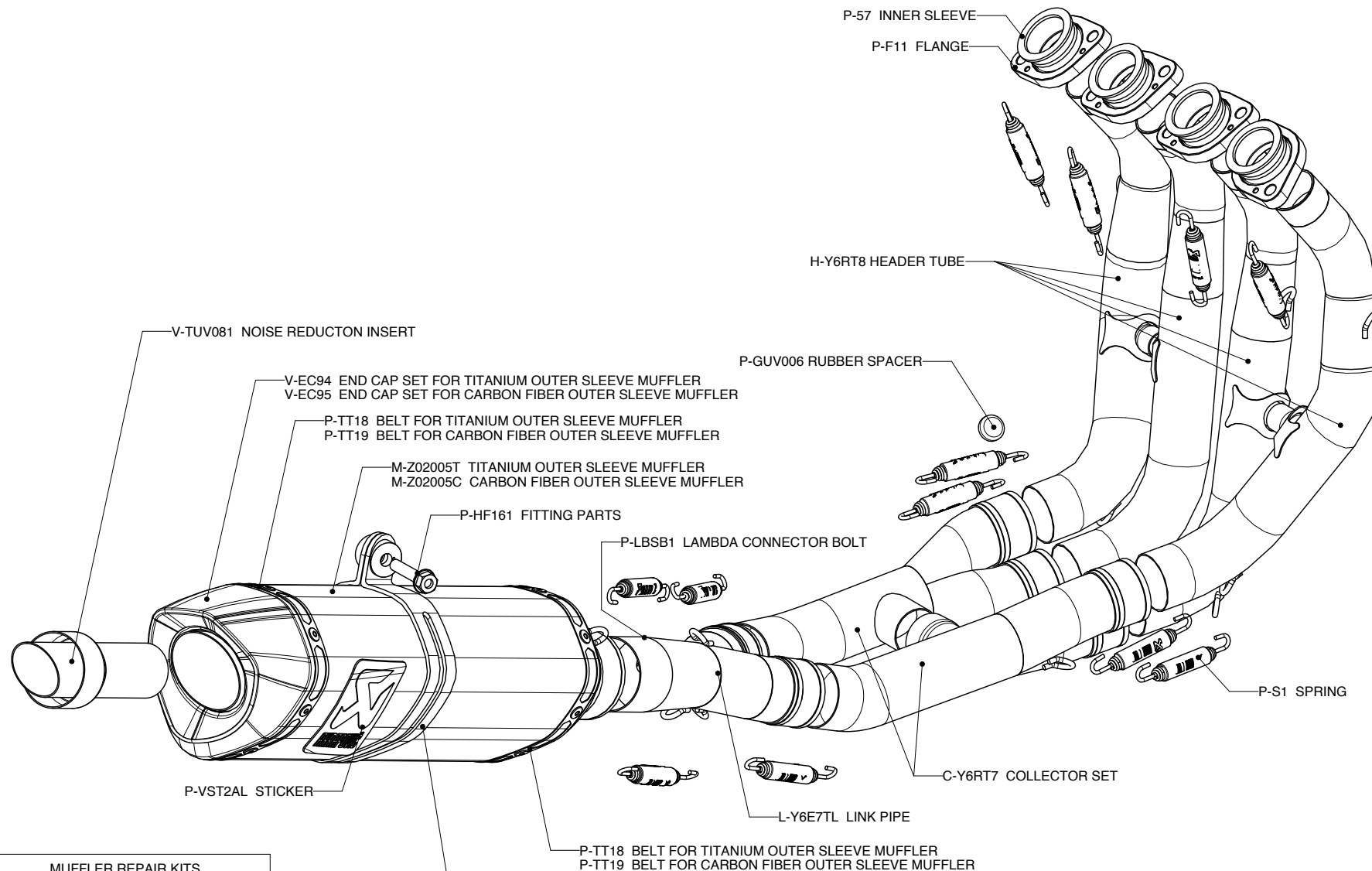
Technical specifications of Akrapovic exhaust systems and related products subject to change without notice.

Product code: S-Y6R7-ZC, S-Y6R7-ZT Racing  
 S-Y6RFT7TL-ZC, S-Y6RFT7TL-ZT Evolution  
 S-Y6EFT7TL-ZC, S-Y6EFT7TL-ZT Evolution KIT



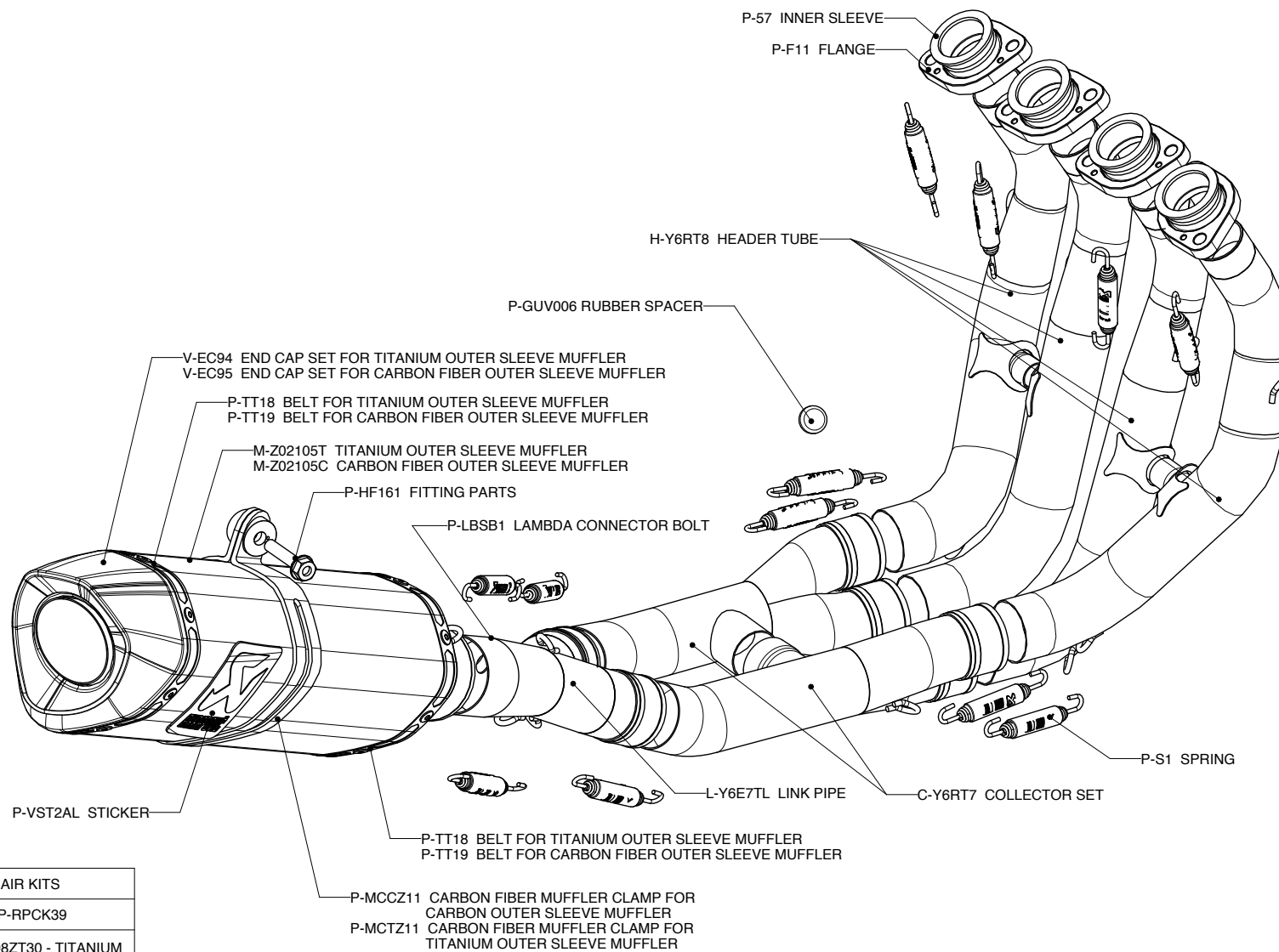


Product code: S-Y6R7-ZC, S-Y6R7-ZT Racing



MUFFLER REPAIR KITS	
REPACK	P-RPCK39
SLEEVE	P-RKS198ZT30 - TITANIUM
	P-RKS197ZC30 - CARBON

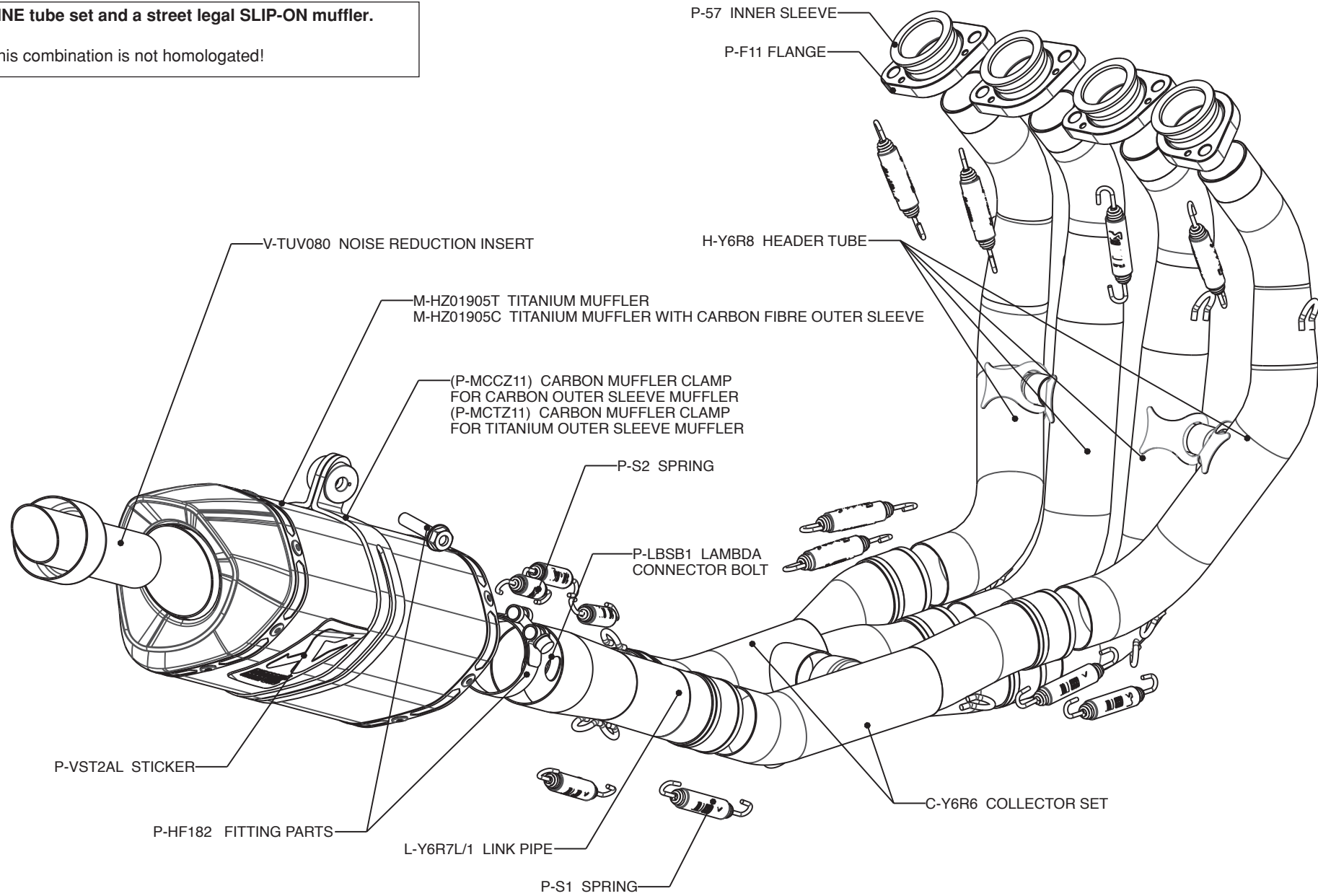
P-MCCZ11 CARBON FIBER MUFFLER CLAMP FOR  
 CARBON OUTER SLEEVE MUFFLER  
 P-MCTZ11 CARBON MUFFLER CLAMP FOR  
 TITANIUM OUTER SLEEVE MUFFLER



MUFFLER REPAIR KITS	
REPACK	P-RPCK39
SLEEVE	P-RKS198ZT30 - TITANIUM
	P-RKS197ZC30 - CARBON

**RACING LINE tube set and a street legal SLIP-ON muffler.**

Warning! This combination is not homologated!



EVOLUTION LINE tube set and a street legal SLIP-ON muffler.

Warning! This combination is not homologated!

