



DUCATI 848 EVO

SLIP-ON STREET LEGAL EXHAUST SYSTEM

DUCATI 848 EVO

SLIP-ON STREET LEGAL EXHAUST SYSTEM

DESCRIPTION

The Akrapovic SLIP-ON exhaust system for the new Ducati 848 EVO is an invincible combination of performance and price. In addition to performance, the twin titanium or carbon fiber mufflers add a clean racing look. And the Ducati will put out a much more powerful racing sound. You will also save 2.7 kg compared to the stock Ducati exhaust system. The SLIP-ON street legal system is homologated and ready for road use.

PERFORMANCE

Measurements of the Akrapovic SLIP-ON OPEN system on the DUCATI 848 EVO without muffler insert:

Power & Torque: the Akrapovic SLIP-ON OPEN system greatly increases the potential of the engine. Both power and torque are increased over the entire rpm range, with the greatest increase shown in the low and top of the range. We measured 127 HP at 10600 rpm, while the max. increased power of 3.7 HP was measured at 4800 rpm.



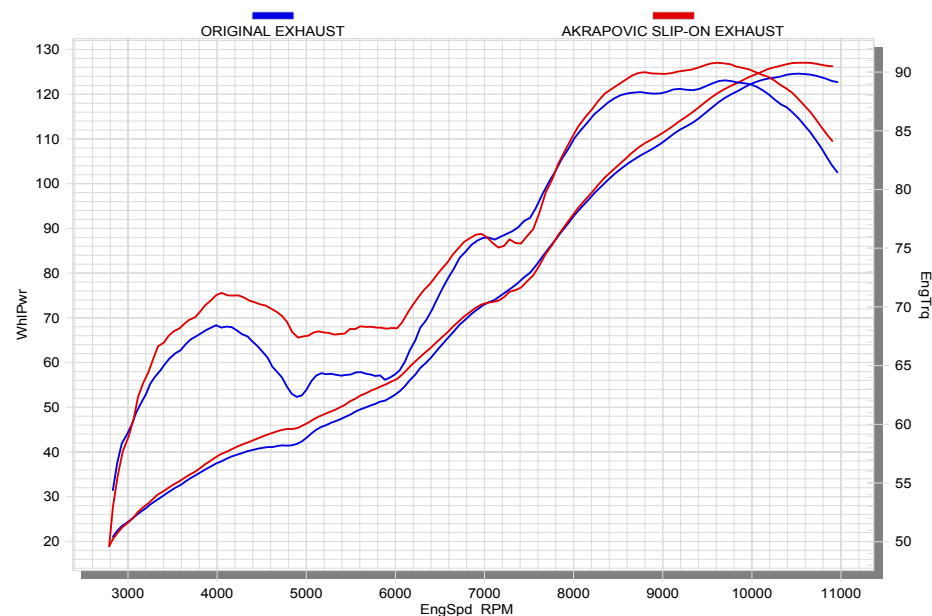
PERFORMANCE			
	stock	AKRAPOVIC	max. increased power
max. rear wheel power HP / rpm (measured on SuperFlow Cyle Dyn)	124.6 / 10500	127 / 10600	3.7 / 4800

ADDITIONAL DATA					
weight comparison (kg)	stock	AKRAPOVIC		difference	
	5.75	SS link pipe	TITANIUM link pipe	stock - S.S.	stock - TITANIUM
		-	3.05	-	2.7

noise measurements (dB / rpm)	stock		AKRAPOVIC	
		92 / 5000		92 / 5000
legal for street use	YES			

Technical specifications of Akrapovic exhaust systems and related products subject to change without notice.

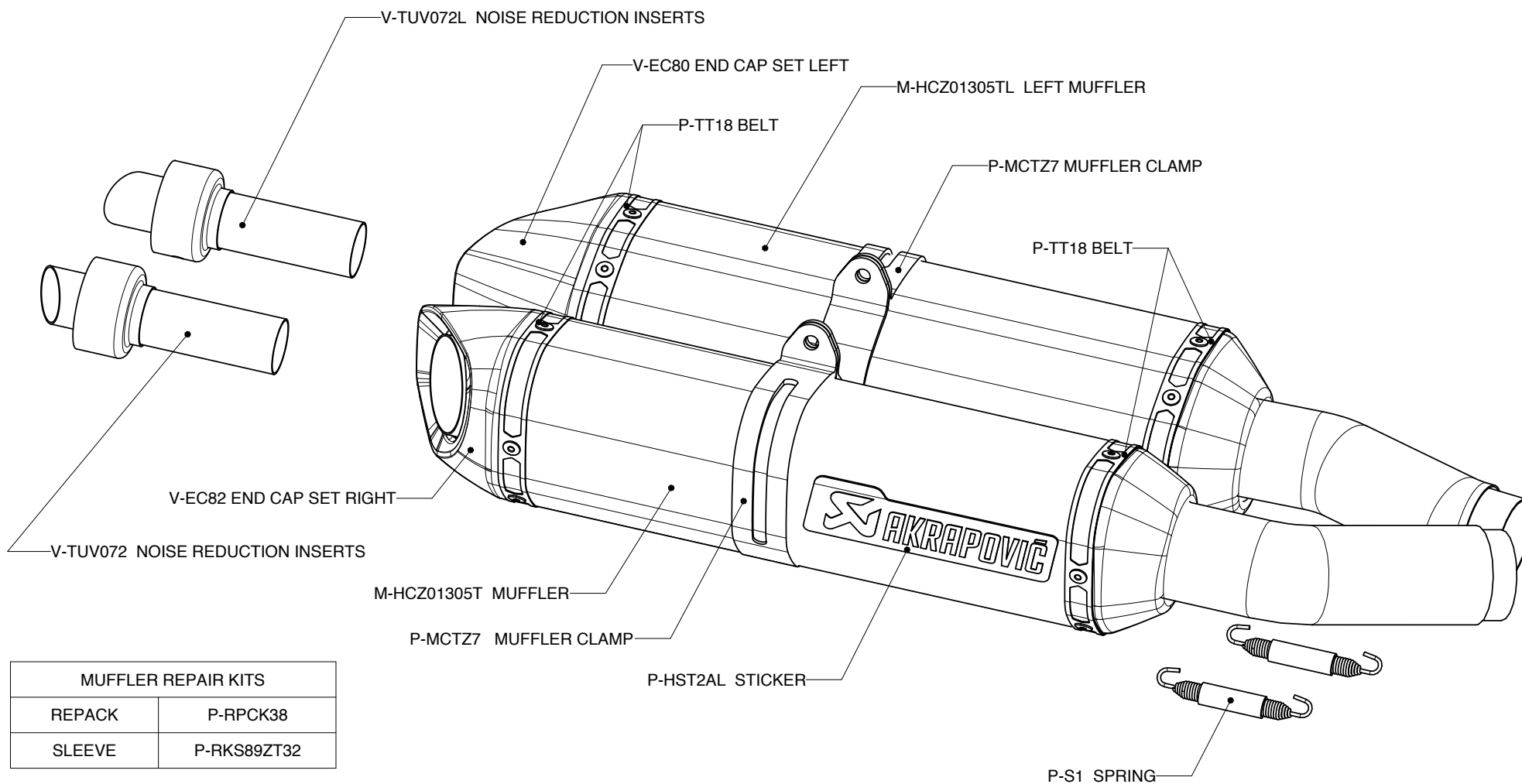
Product code: S-D10SO3C-HZT



www.akrapovic.com

Akrapovic d.d. 2010 all rights reserved

23.12.2010



MUFFLER REPAIR KITS	
REPACK	P-RPCK38
SLEEVE	P-RKS89ZT32