



YAMAHA YZF R6

(2008)

SLIP-ON & SLIP-ON MEGAPHONE EXHAUST SYSTEM

www.akrapovic.net

For riders who do not want to make any major modifications to the Yamaha R6, the Akrapovic Slip-On system is an excellent choice, giving a lot of results for a simple installation. The Akrapovic Slip-On system is an outstanding combination of high quality workmanship, performance, affordability and aesthetic enhancement. The distinctive, street legal Slip-On HEXAGONAL muffler fits well in the original mounting position and goes fantastically with the lines of the bike. For more race-oriented riders we offer a completely open version - the Akrapovic Slip-On Megaphone.

We offer a complete exhaust system for the Yamaha YZF R6 2008, with an EVOLUTION LINE tube set and a street legal SLIP-ON muffler.

Warning! In case of a combination with the EVOLUTION tube set, the SLIP-ON homologation is not valid!

This combination is offered only for racing purposes and race track use, since EVOLUTION OPEN or RACING OPEN complete exhaust systems exceed permitted noise emissions.

PERFORMANCE

Measurements of the Akrapovic SLIP-ON system on the YAMAHA YZF R6 (without muffler insert):

Power & Torque: the R6's engine spins more freely with the Akrapovic Slip-On system, which is reflected in the power and torque curves. The amount of increased power expands as you go up the rpm range, so that at 14800 rpm the rear wheel puts out 119.1HP. Max. increased power of 1.7 HP was measured at a screaming 11800 rpm.

CONFIGURATION

The Akrapovic Slip-On for the R6 features a unique design. It is composed of an extremely short cylindrical stainless steel link pipe, which is welded to the muffler. The connection with the stock header assembly is a sleeve joint which is double secured with a metal clamp and a silicon-shielded spring. The muffler inlet cap is made of stainless steel, the outlet cap is carbon-fiber, and the outer sleeve is titanium. The muffler is attached to the frame with an Akrapovic carbon-fiber clamp.

For race-oriented riders we have developed an open version of the Slip-On called the Akrapovic Slip-On Megaphone. The performance characteristics of the Megaphone are the same as the mentioned Slip-On, but it features a titanium link pipe whose outlet port is flared to the characteristic shape, and also includes an installed noise damper. The Megaphone is connected with the header assembly with a sleeve joint secured with a metal clamp, and is attached to the frame using a metal bracket.

Technical specifications of Akrapovic exhaust systems and related products subject to change without notice.

Product code: (109114) S-Y6SO7-ZC, (109113) S-Y6SO7-ZT Slip-on open
 (109109) S-Y6SO7-HZC, (109108) S-Y6SO7-HZ Slip-on street legal
 (105572) SM-Y6SO6T Megaphone system

	PERFORMANCE		
	stock	AKRAPOVIC	max. increased power
max. rear wheel power HP / rpm <small>(measured on Dynojet ATV)</small>	117.5 / 14900	119.1 / 14800	1.7 / 11800

	CONFIGURATION		
	header tubes	collector	link pipe
material	-	-	STAINLESS STEEL / TITANIUM (megaphone)
tube shape	-	-	cylindrical / cylindrical

interference crossover tubes	-	lambda sensor	-
header tube inner sleeves	-	header tube flanges	-
header tubes - collector connection	-	collector / header tube - link pipe connection	SLEEVE JOINT+ SILICON SHIELDED SPRING+METAL CLAMP(SLIP-ON) \ SLEEVE JOINT + METAL CLAMP (MEGAFON SLIP-ON)
link pipe - muffler connection	Welded \ welded	muffler inlet cap /outlet cap	S.S. - Carb. \ Ti
muffler metal interior	STAINLESS STEEL / TITANIUM (megaphone)	muffler outer sleeve	Ti or carbon-fiber \ Ti (megafon)
muffler clamp	CARBON-FIBER	muffler bracket	-
muffler insert	EU	YES	heat shield
	US	-	catalytic converter

	ADDITIONAL DATA				
	stock	AKRAPOVIC		difference	
		S.S. link pipe	TITANIUM link pipe	stock - S.S.	stock - titanium
weight comparison (kg)	1.87	1.2	0.41 (megaphone)	0.67	0.67 (megaphone)
noise measurements (dB / rpm)	stock		AKRAPOVIC		
	98 / 7250		98 / 7250 104 / 7250 (megaphone)		
possibility of periodic service without removing A.E.S.	oil		oil filter		
	YES		YES		
legal for street use	YES / NO (megaphone)				



Product code:

(109114) S-Y6SO7-ZC, (109113) S-Y6SO7-ZT Slip-on open
(109109) S-Y6SO7-HZC, (109108) S-Y6SO7-HZ Slip-on street legal
(105572) SM-Y6SO6T Megaphone system



Product code:

(109114) S-Y6SO7-ZC, (109113) S-Y6SO7-ZT Slip-on open
(109109) S-Y6SO7-HZC, (109108) S-Y6SO7-HZ Slip-on street legal
(105572) SM-Y6SO6T Megaphone system



Product code:

(109114) S-Y6SO7-ZC, (109113) S-Y6SO7-ZT Slip-on open
(109109) S-Y6SO7-HZC, (109108) S-Y6SO7-HZ Slip-on street legal
(105572) SM-Y6SO6T Megaphone system



Product code:

(109114) S-Y6SO7-ZC, (109113) S-Y6SO7-ZT Slip-on open
(109109) S-Y6SO7-HZC, (109108) S-Y6SO7-HZ Slip-on street legal
(105572) SM-Y6SO6T Megaphone system



www.akrapovic.net
Akrapovič d.d. 2008 all rights reserved

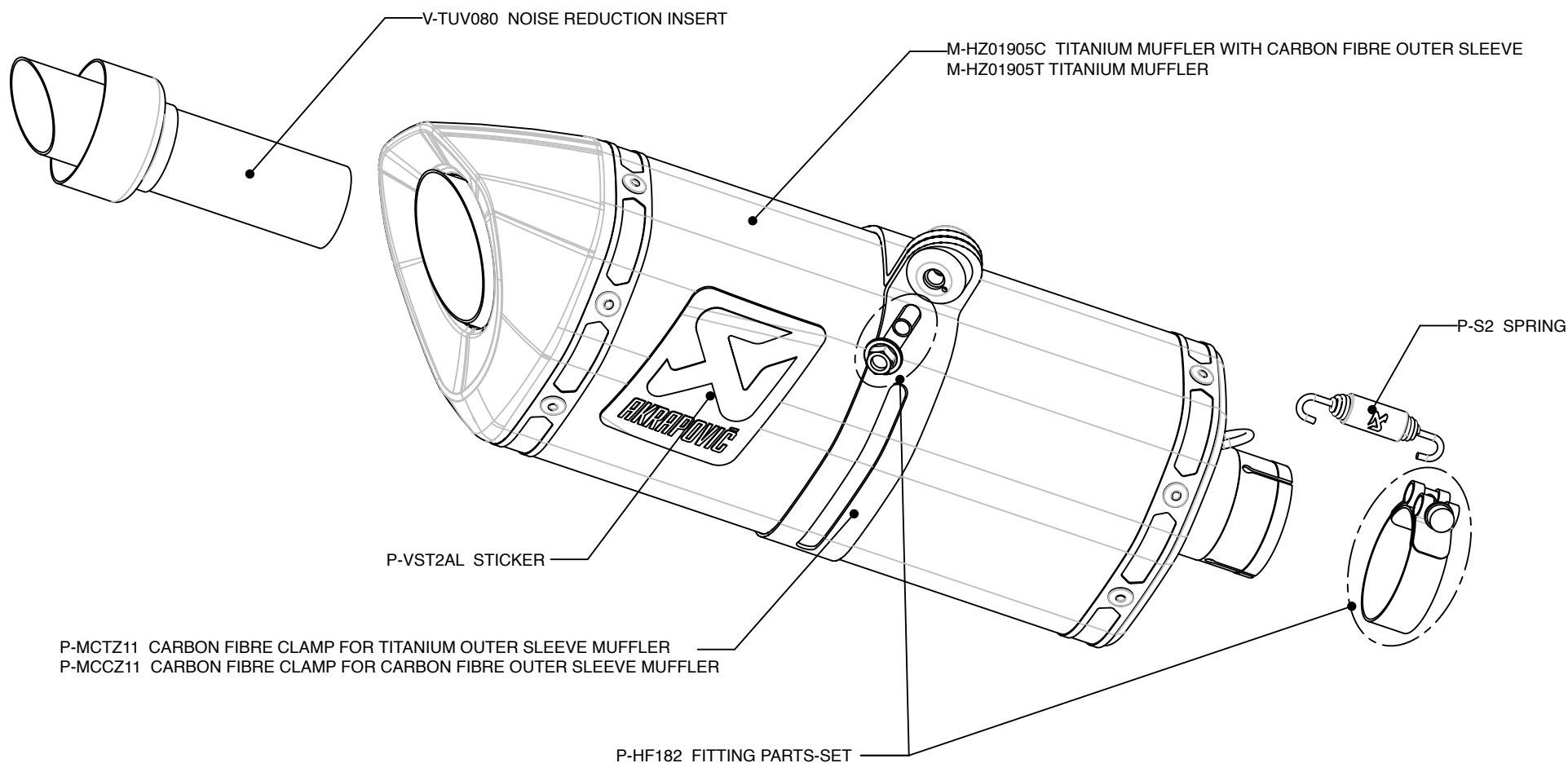


Product code:

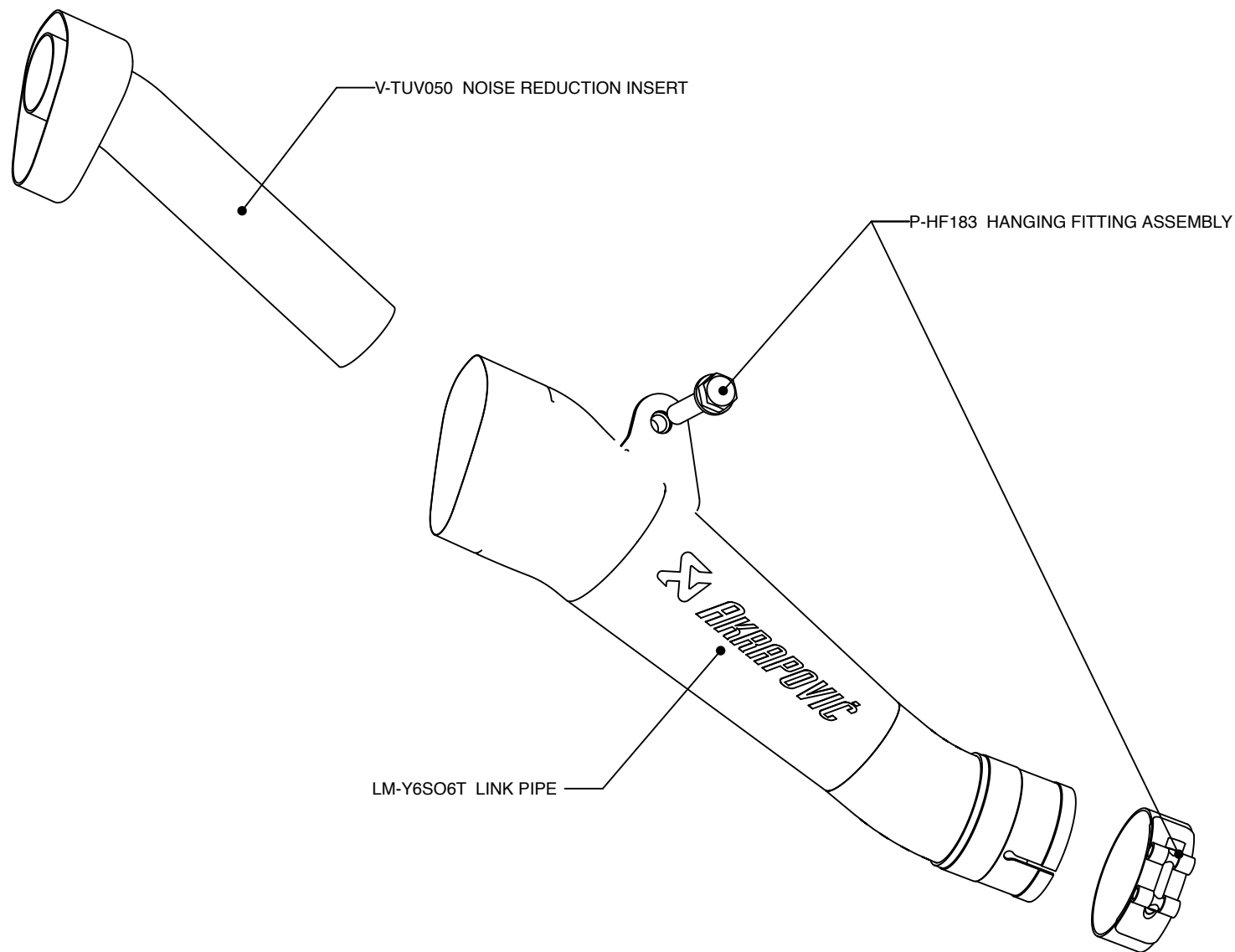
(109114) S-Y6SO7-ZC, (109113) S-Y6SO7-ZT Slip-on open
(109109) S-Y6SO7-HZC, (109108) S-Y6SO7-HZ Slip-on street legal
(105572) SM-Y6SO6T Megaphone system



Product code: (109114) S-Y6SO7-ZC, (109113) S-Y6SO7-ZT Slip-on open
(109109) S-Y6SO7-HZC, (109108) S-Y6SO7-HZ Slip-on street legal
(105572) SM-Y6SO6T Megaphone system



Product code: (109114) S-Y6SO7-ZC, (109113) S-Y6SO7-ZT Slip-on open
 (109109) S-Y6SO7-HZC, (109108) S-Y6SO7-HZ Slip-on street legal
 (105572) SM-Y6SO6T Megaphone system

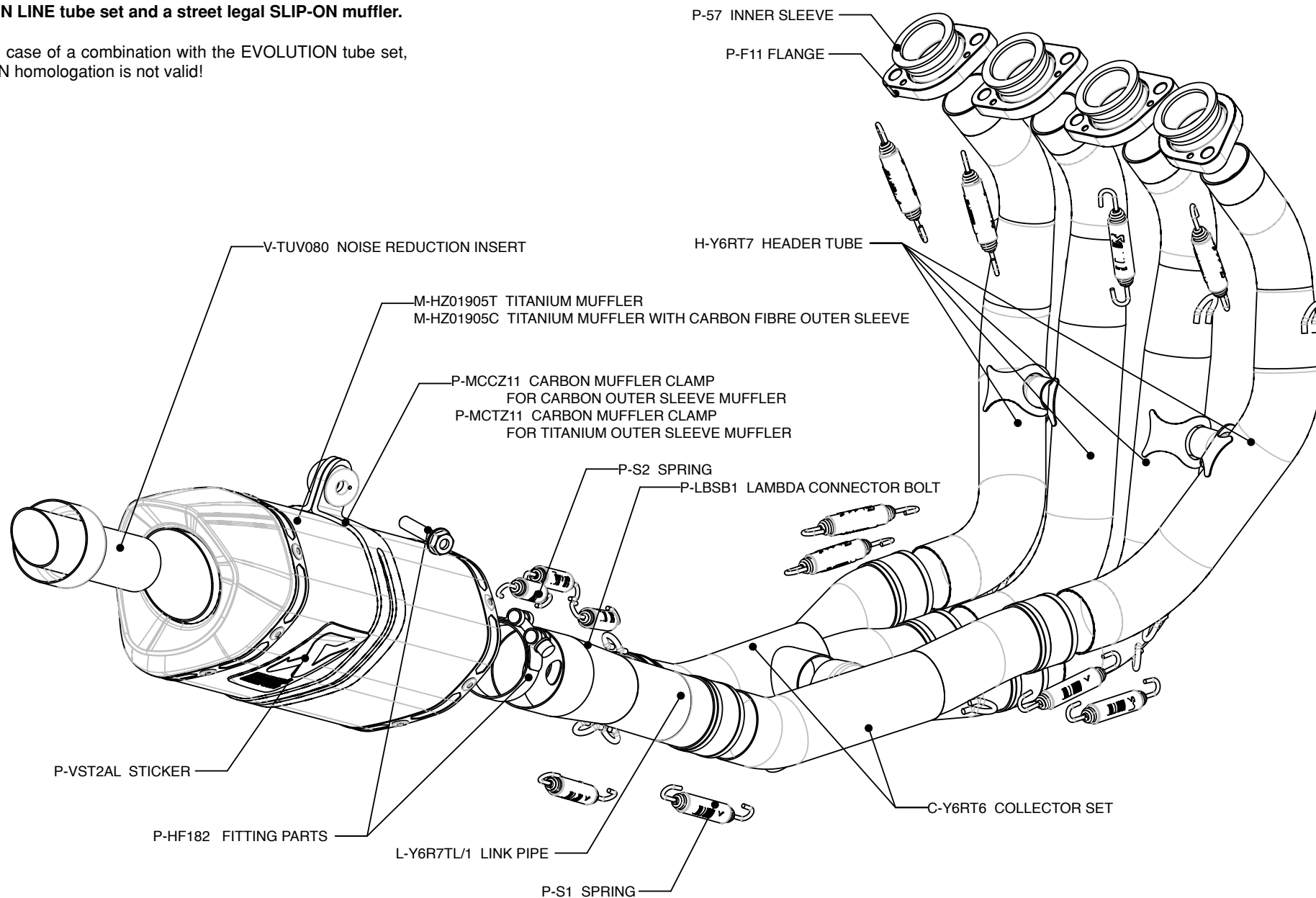


Product code:

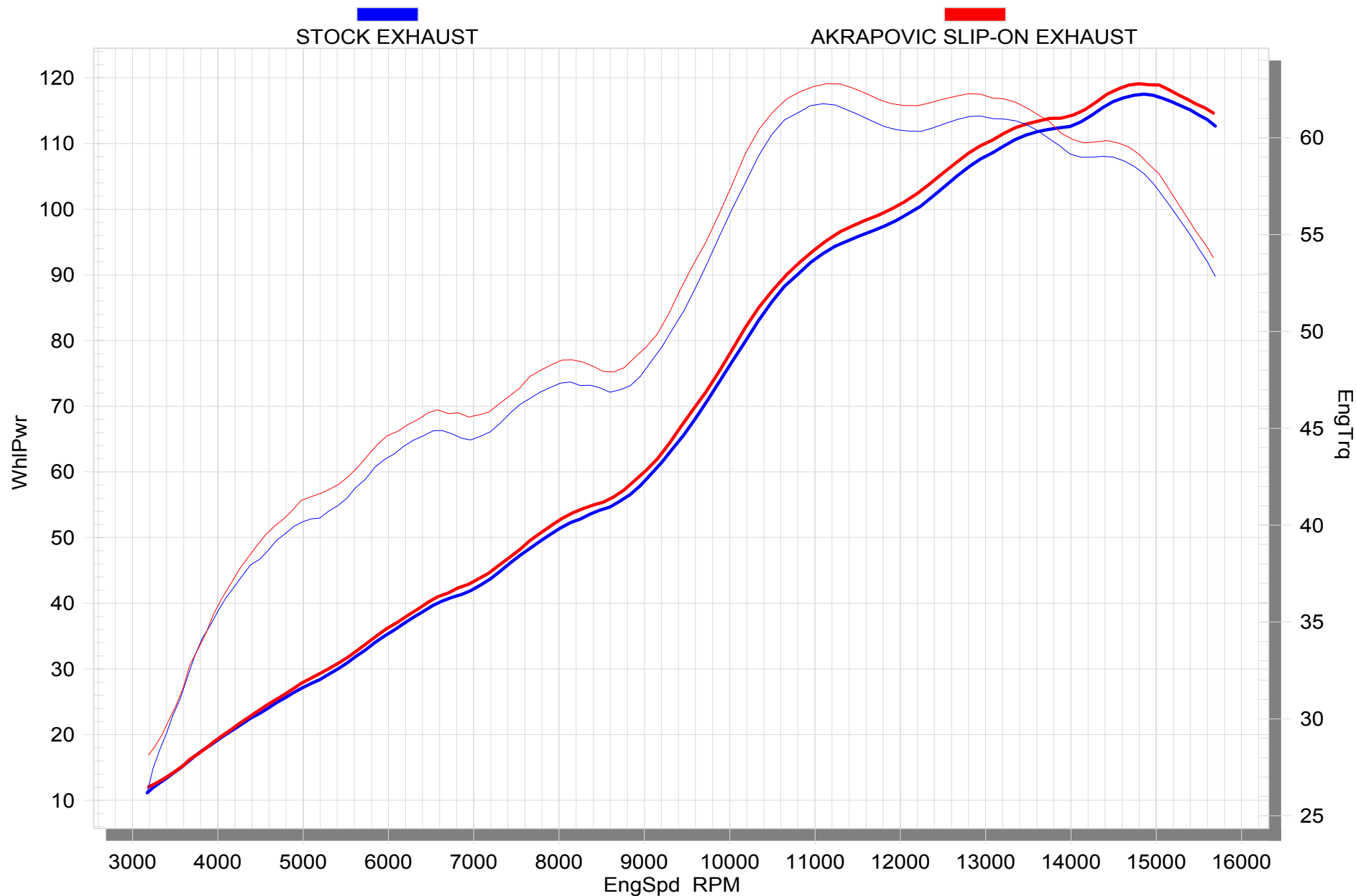
(109114) S-Y6SO7-ZC, (109113) S-Y6SO7-ZT Slip-on open
(109109) S-Y6SO7-HZC, (109108) S-Y6SO7-HZ Slip-on street legal
(105572) SM-Y6SO6T Megaphone system

EVOLUTION LINE tube set and a street legal SLIP-ON muffler.

Warning! In case of a combination with the EVOLUTION tube set, the SLIP-ON homologation is not valid!



Product code: S-Y6RFT7TL-ZC/1
S-Y6RFT7TL-ZT/1



Product code: (109114) S-Y6SO7-ZC, (109113) S-Y6SO7-ZT Slip-on open
 (109109) S-Y6SO7-HZC, (109108) S-Y6SO7-HZ Slip-on street legal
 (105572) SM-Y6SO6T Megaphone system